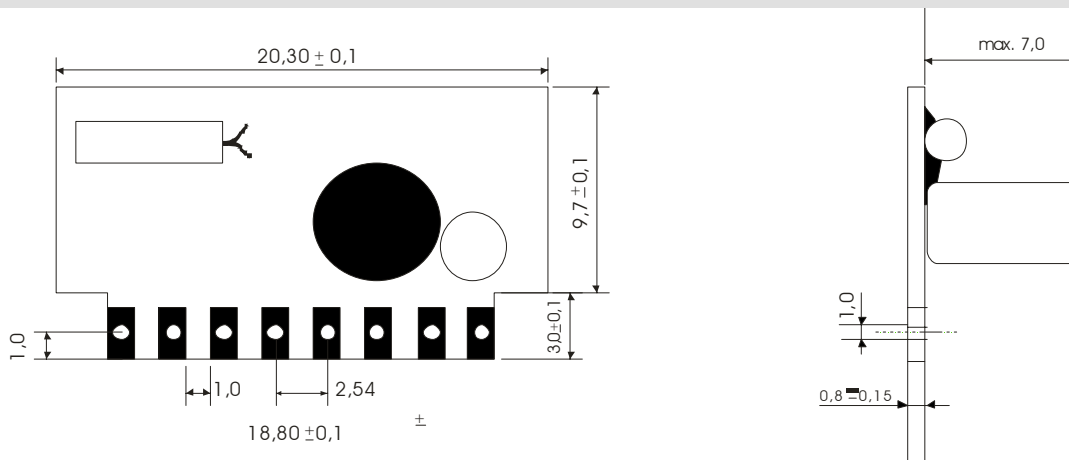


## DESCRIPTION

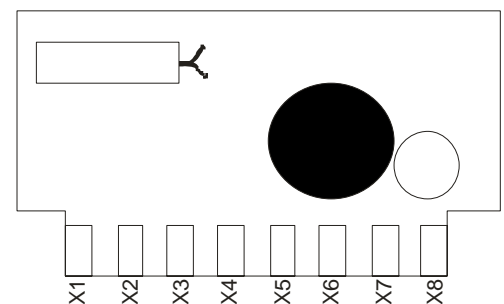
Together with the ferrite antenna, the receiver module CMM6 forms a complete receiver unit for radio controlled signals of frequencies 40kHz, 60kHz and 77.5kHz. For individual part numbers please refer to technical data below.

## DIMENSION



## PINNING

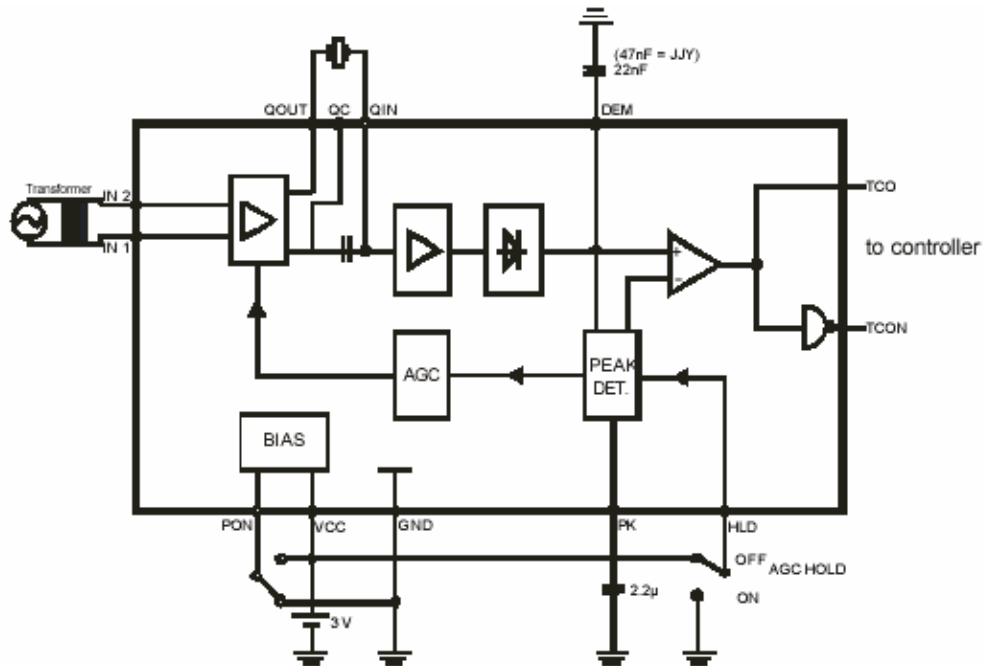
Pinning	Pin connection to CME6005	Remarks
X1	GND	Ground of the module
X2	VCC	Power supply to module
X3	IN2	Antenna input 1
X4	IN1	Antenna input 2
X5	PON	Power on, must be connected to GND externally to switch on module
X6	TCO	Positive output signal
X7	TCON	Inverted output signal
X8	HLD	AGC HLD control pin, must be connected to VCC externally if not connected to MCU.



**TECHNICAL DATA**

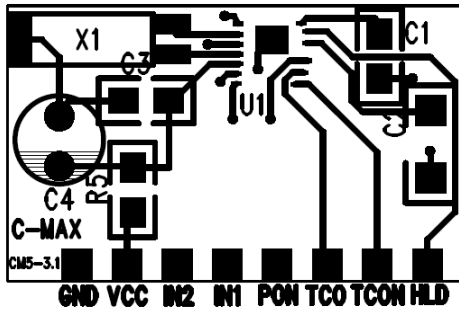
Part Number	CMM-6-40	CMM-6-60	CMM-6-775
Receiver Carrier Frequency	40 kHz	60 kHz	77.5 kHz
Operating Voltage	1.2 V – 5.5 V	1.2 V – 5.5 V	1.2 V – 5.5 V
Current consumption at 3.0 V	< 100 uA	< 100 uA	< 100 uA
Quiescent current in standby mode	0.5 uA	0.5 uA	0.5 uA
Operating temperature range	-10 to 60 °C	-10 to 60 °C	-10 to 60 °C
Start up time	<3.5 s	<3.5 s	<3.5 s
Receiver sensitivity			
- direct feed in via IN1 & IN2	< 0.6 uV	< 0.6 uV	< 0.6 uV
- via 60mm antenna* connected at IN1 & IN2	< 30 uV/m	< 30 uV/m	< 30 uV/m
* antenna inductance with wire Ø0.23	2.33 mH	1.92 mH	1.5 mH
Output pulse widths tolerance	< ± 35 ms	< ± 35 ms	< ± 35 ms

**CIRCUIT DIAGRAM**

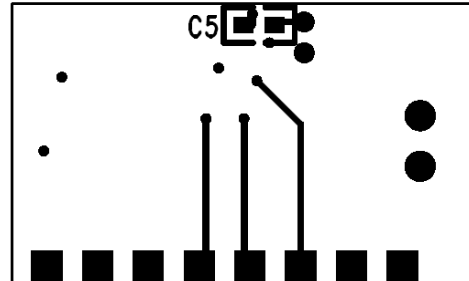


**CIRCUIT LAYOUT FOR CMM6**

**Front side**



**Back side**



Note: C5 not placed for single frequency modules

**Ordering information**

